

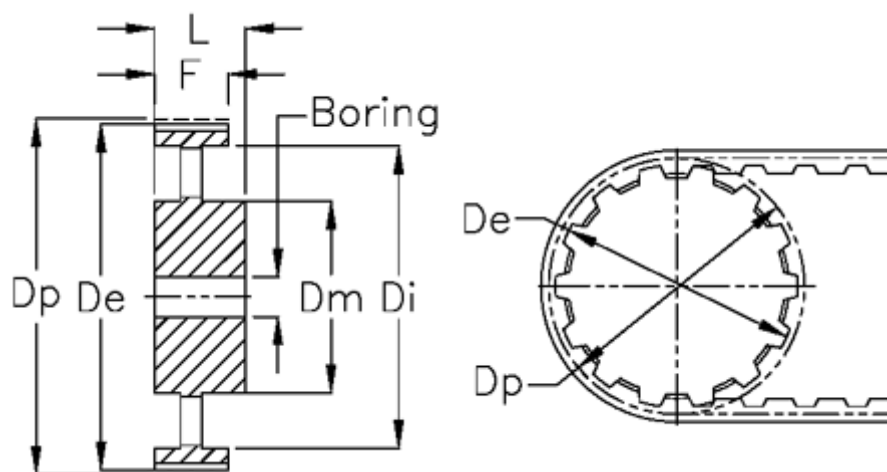
Data Sheet



Article number: 604144168030

Description: Timing belt pulley with hub
HTD 168 8M 30

Measures



Bore	= 20	Type	= 8M
De	= 426.44	Weight	= 11.4
Di	= 400	Width	= 30
Dm	= 100		
Dp	= 427.81		
F	= 38		
L	= 48		
Tooth number	= 168		